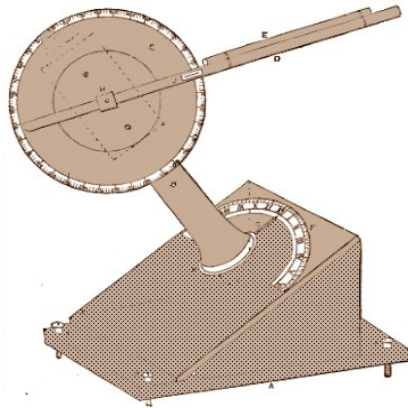




SCIENTIFIC AMERICAN SUPPLEMENT NO. 601
NEW YORK, JULY 9, 1887



HOW TO MAKE A STAR FINDER.
By this simple toy affair I have often
picked up the planet Venus at
midday when visible to the naked eye.
--T.R. Clapham in English Mechanic.

A LIBRIVOX FREE AUDIOBOOK

Scientific American Supplement July 9, 1887

The Scientific American may be the oldest continuously published periodical in the United States, having launched its first publication in 1845. It has been a mainstay of popular science with in-depth articles across a broad spectrum of scientific fields. In this supplement are short articles ranging through such topics as torpedo boats, engineering updates, sponges, and a long article on bricks and brickwork, and much more. - Summary by Larry Wilson

Read by Librivox volunteers. Total running time: 03:50:20

This recording is in the public domain and may be reproduced, distributed, or modified without permission. For more information or to volunteer, visit librivox.org.

Cover picture by from magazine (1887. Copyright expired in U.S., Canada, EU. and all countries with author's life +70 yrs laws. Cover design by Annise. This design is in the public domain.

Scientific American Supplement July 9, 1887